



MI-301nn CIN



**extended
bandwidth**

Note
The MI-301nn family of CIN products, include:
- MI-30111, CIN OD
- MI-30112, CIN OD reverse DC

MASS™ Microdata Advanced Site Solutions

With our expertise in site system design we are able to provide a solution for any site sharing or upgrade scenario.

Our focus area is RF-filter based solutions including combiners, multi band TMAs, di-, tri- and quadruplexers.

Our product portfolio supports all frequencies for mobile communication bands ranging from 450 MHz to 6 GHz.

Site and network sharing makes it cost efficient to reach sparsely populated areas where new subscribers can contribute to revenue.

MASS™ Advantage

Increases coverage
more traffic & higher ARPU

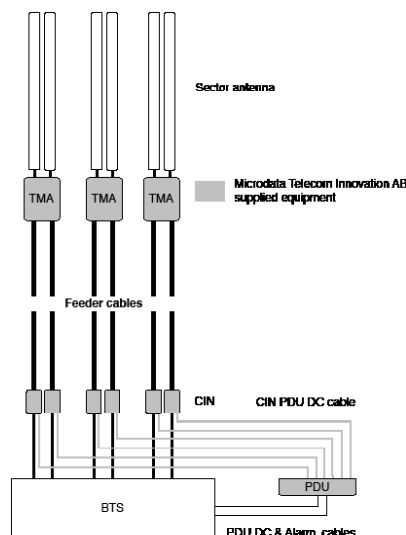
Increases capacity
more traffic & higher ARPU

Reduces the cost
of network expansion

Minimizes
site acquisition issues

Specifications

| Electrical | | | | |
|-------------------------------------|---------------------------------|--------|--------|-------|
| Frequency range | 698 - 2690 MHz | | | |
| IL | 0.1 dB | | | |
| RL | 20 dB | | | |
| Max RF Power | 500 W (57 dBm) | | | |
| DC current | 1.6 A | | | |
| Voltage drop | 1 V | | | |
| Intermodulation | -116 dBm @2x43 dBm | | | |
| Isolation RF - DC | 65 dB | | | |
| Compliant with AISG type signalling | 1 - 11 MHz | | | |
| Environmental | | | | |
| Temperature | -40 °C - +65 °C | | | |
| Ingress Protection, Outdoor | IP 66 | | | |
| Lightning Protection | 10 kA 8/20 µs 3 kA 10/350 µs | | | |
| Mechanical | | | | |
| Weight | 0.3 kg | | | |
| Size (WxHxD) | 88x38x47 mm | | | |
| Product numbers | | BTS | ANT | DC |
| MI-30111 OD | | 7/16 M | 7/16 F | SMA F |
| MI-30112 OD | | 7/16 F | 7/16 M | SMA F |



MI-301nn_100120_C.pdf